



*heating and plumbing products
that won't cost the **earth***

Balancing valve for solar heating systems



Balancing valve for solar heating systems

Description

This balancing valve is designed for use with solar heating systems and is supplied complete with integral flow meter allowing direct reading of the flow rate. The body is of Chrome plated brass.

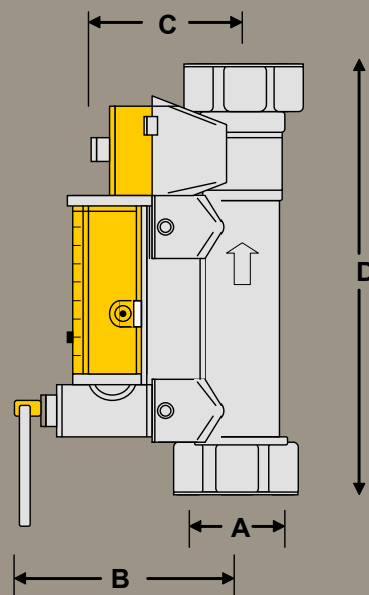
Technical specifications

maximum working pressure: 10 bar
 working temp. range: -30°C - 130°C

size	flow meter scale (l/min)	code
3/4"	2 - 7	258503
3/4"	7 - 28	258523
1"	10 - 40	258603



solar balancing valve



A bsp connection	B	C	D
3/4"	83.5mm	45.5mm	145mm
1"	85mm	47mm	158mm



Intaeco Limited
 Airfield Industrial Estate
 Hixon, Staffordshire ST18 0PF

t: 01889 207200 f: 01889 270577
 e: sales@intaeco.co.uk w: www.intaeco.co.uk